

# PS510 (B456)

This parts catalog includes MB No. 1 to 8

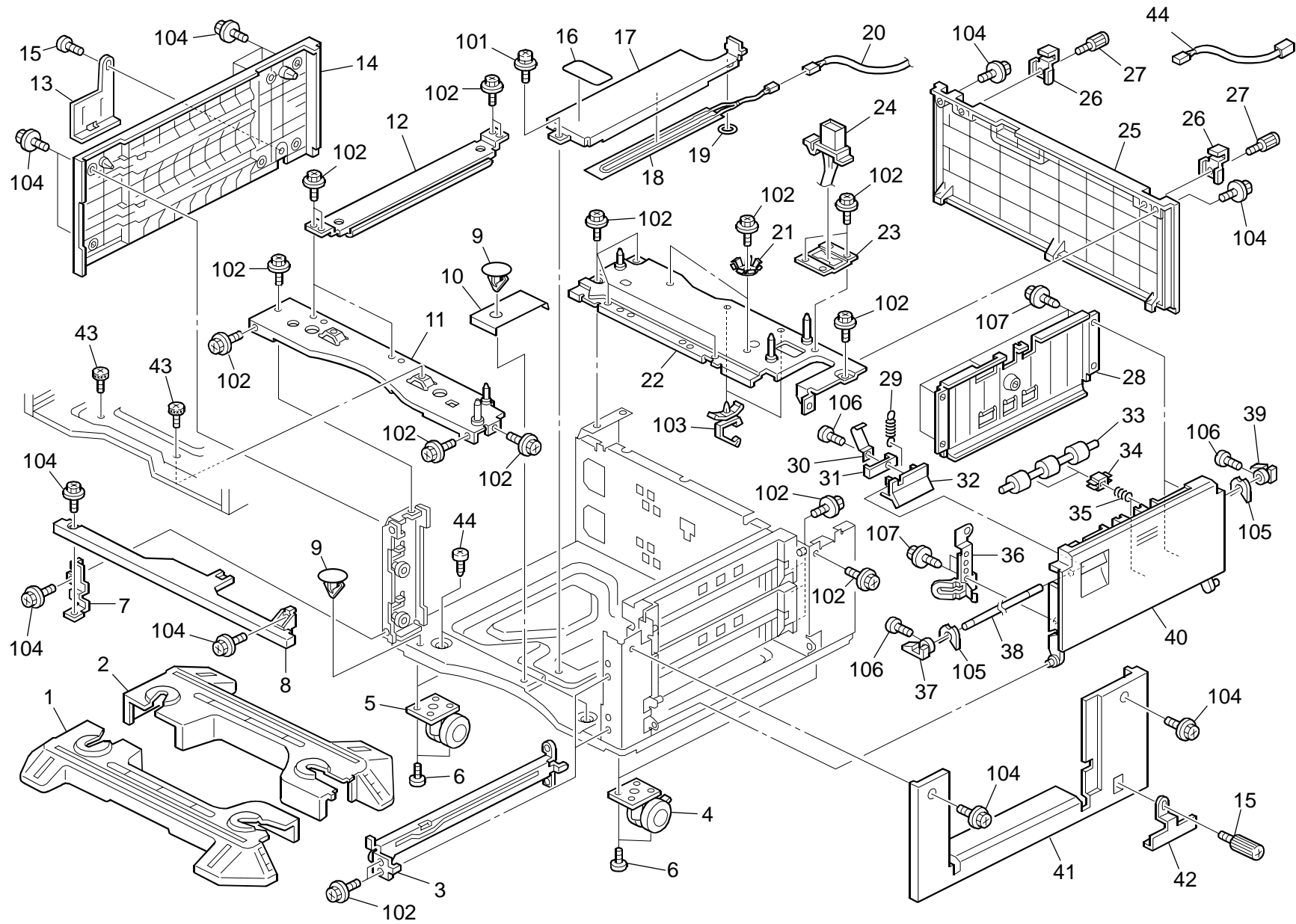
## PS510 (B456)

### PARTS CATALOG

This catalog gives the numbers and names of parts on this machine.

1.EXTERIOR (B456) .....	2
2.PAPER TRAY (B456) .....	4
3.PAPER RESISTRATION (B456) .....	6
4.DRIVE SECTION (B456) .....	8
5.ELECTRICAL SECTION (B456).....	10
6.DECALS AND DOCUMENTS (B456) .....	12
<b>PARTS INDEX.....</b>	<b>15</b>

# 1.EXTERIOR (B456)

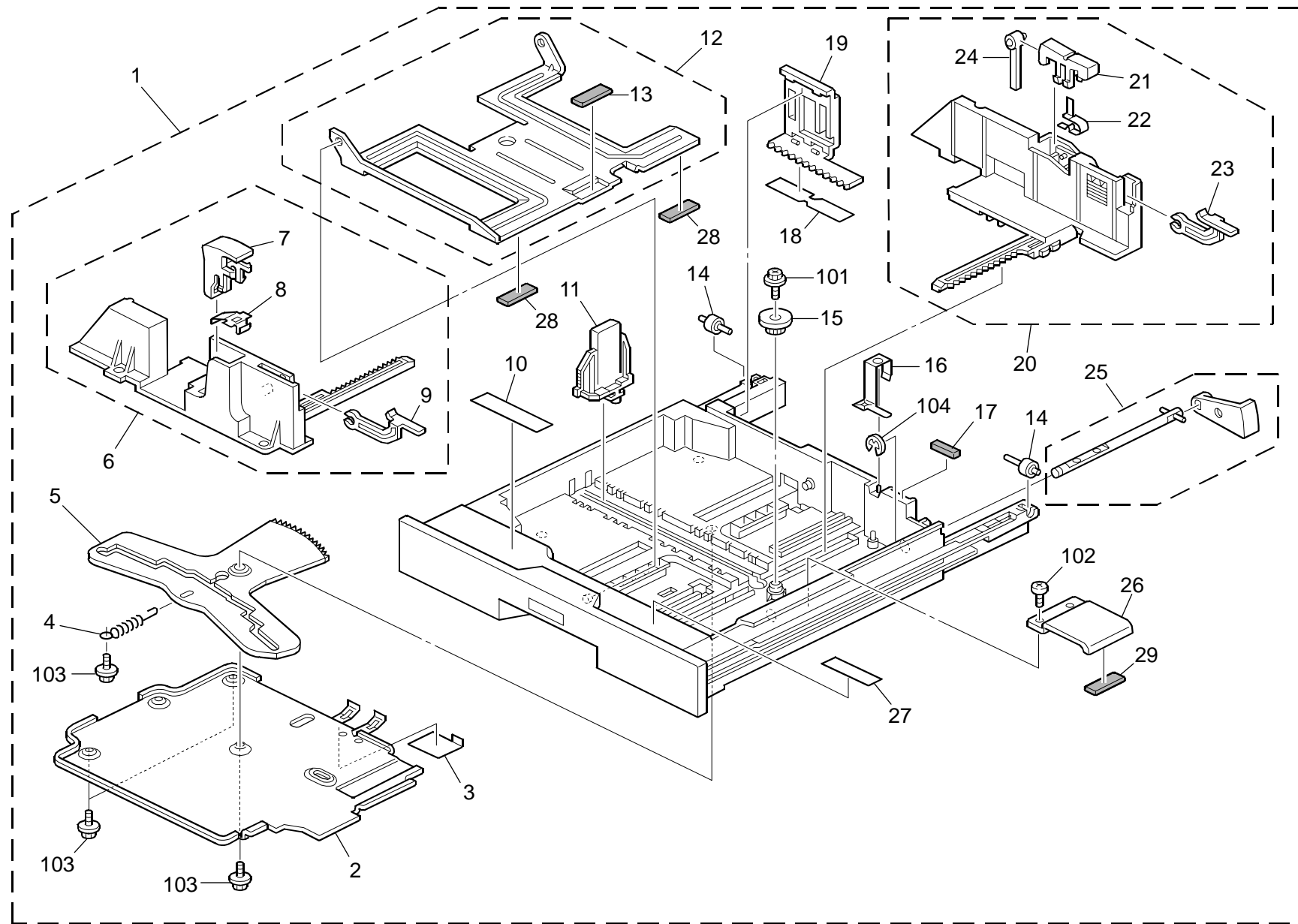


## 1.EXTERIOR (B456)

Index No.	Part No.	Description	Q'ty Per Assembly
1	B456 6160	Front Stand	1
	G569 6160	x/x MB1	
2	B456 6161	Rear Stand	1
	G569 6161	x/x MB1	
3	G568 2990	Guide Rail - Paper Tray	2
4	AH01 2013	Stopper Caster - 60kgf	2
5	AH01 2014	Caster - 60kgf	8
6	A507 1096	Philips Screw - M5x6	1
7	B456 1213	Lower Cover Bracket	1
8	B456 1212	Lower Cover	1
9	G568 1080	Anchor Clip - 1026	2
10	G568 1160	Sheet - Base	1
11	B457 1125	Front Upper Stay	1
12	A682 1067	Upper Middle Stay	2
13	G569 6168	Rear Left Stand Bracket	1
14	B456 1253	Left Cover - Paper Bank	1
15	B351 6121	Screw - Fix Hinge	4
16	AA00 0401	Decal - High Temperature	1
17	G568 6560	Heater Sink Plate	1
18	AX40 0109	Heater - 120V 9W	1
18	AX40 0110	Heater - 230V 9W	1
19	A230 2525	Stopper - Heater	1
20	B456 5350	Harness:Heater:Ass'y	1
	B456 5340	o/o MB8	
21	G313 1132	Ground Plate - Upper Rear Stay	2
22	B456 1133	Upper Rear Stay	1
23	B456 1078	Drawer Bracket	1
24	B456 5320	Interface Harness	1
25	B456 1251	Rear Cover	1
26	G313 6210	Connecting Bracket	2
27	A628 3115	Knob Screw - M4	2
28	G569 2565	Guide Plate - Vertical Transport	1
29	AA06 0715	Pressure Spring	1
30	G569 2570	Grounding Plate - Vertical Transport Shaft	1
31	A682 2559	Lever Stopper	1

Index No.	Part No.	Description	Q'ty Per Assembly
32	B456 2551	Vertical Transport Lever	1
33	A232 2862	Driven Roller	2
34	AA08 0254	Bushing - M4	4
35	AA06 3573	Compression Spring	4
36	A682 2565	Stopper - Vertical Transport Cover	1
37	A682 2552	Front Hook - Vertical Transport	1
38	B456 2552	Un Lock Shaft	1
39	A682 2553	Rear Hook - Vertical Transport Cover	1
40	B456 2550	Vertical Transport Cover	1
41	B456 1250	Right Cover	1
42	G569 6169	Rear Right Stand Bracket	1
43	AA14 3508	Flat Knob Screw - M4x10	2
44	B456 5360	Harness:Connecting:Heater:Ass'y MB8 ADDED	1
101	0954 4008Z	Double Sens Screw - M4x8	
102	0451 3006B	Tapping Screw - M3x6	
103	1105 0487	Harness Clamp	
104	0451 3008H	Tapping Screw - M3x8	
105	0805 0088	Retaining Ring - M6	
106	0353 0060B	Philips Pan Head Screw - M3x6	
107	0450 4010B	Tapping Screw - 4x10	

## 2.PAPER TRAY (B456)

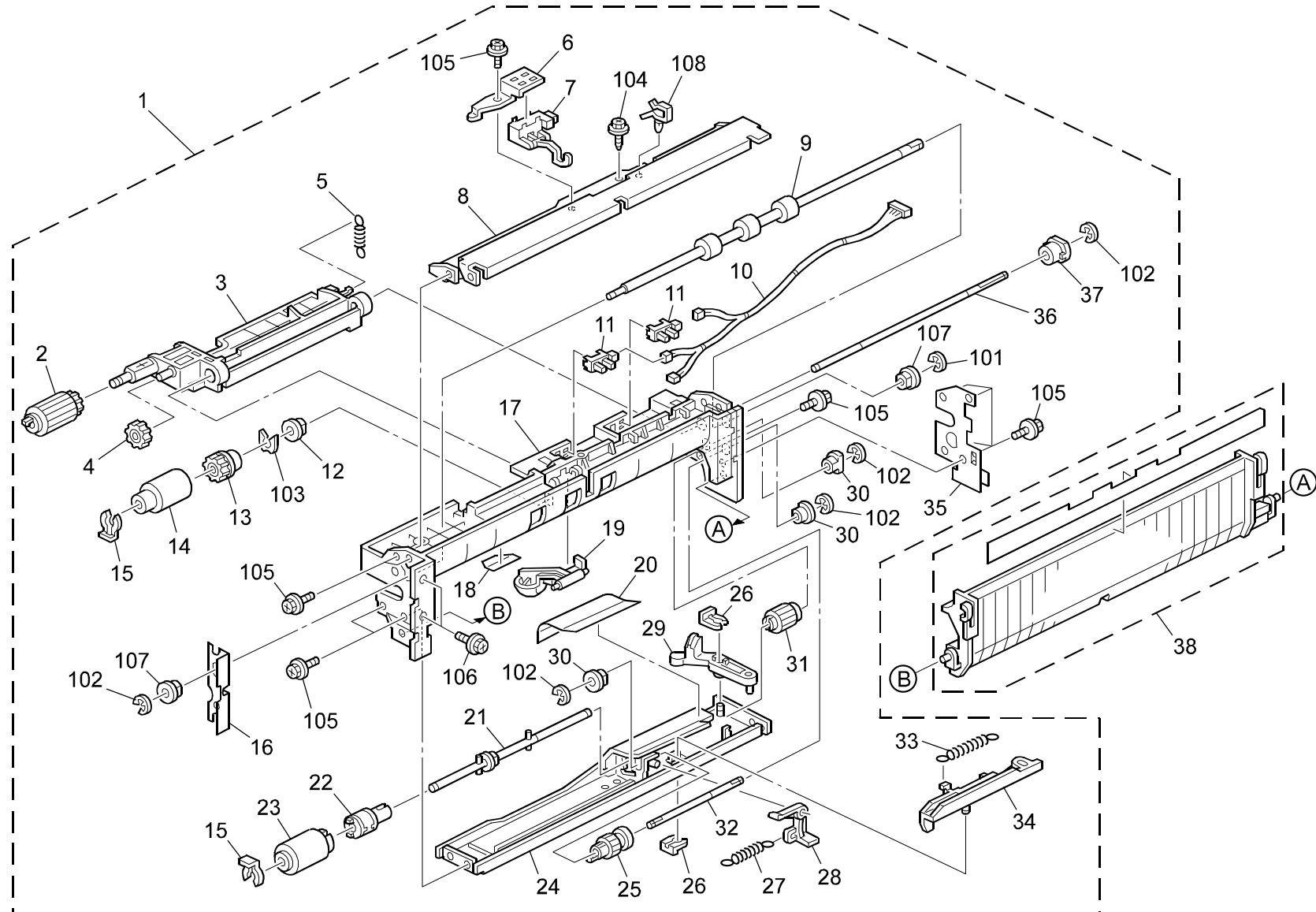


## 2.PAPER TRAY (B456)

Index No.	Part No.	Description	Q'ty Per Assembly
1	G313 2952	Paper Tray	2
2	G568 2790	Paper Size Sensor Cover	1
3	G568 2794	Lower Shield	1
4	G313 2783	Tension Spring - Paper Size Detect	1
5	G568 2796	Link - Paper Size Detection Plate	1
6	G568 2781	Front Side Fence	1
7	A134 2976	Stopper Lever	1
8	A134 2978	Spring Plate	1
9	G568 2789	Front Paper Holder	1
10	GA00 3043	Decal - Exit Paper Tray	1
11	G568 2784	End Fence	1
12	G568 2770	Tray Bottom Plate	1
13	AF01 3014	Bottom Plate Pad	1
14	A232 2987	Roller - Paper Tray	2
15	AB01 3868	Gear - 16Z	1
16	G313 2775	Spring Plate	1
17	G313 2782	Shield	1
18	G568 2800	Flange - Paper Size Detection Plate	1
19	G568 2797	Paper Size Sensor Board	1
20	G568 2782	Rear Side Fence	1
21	A267 2860	Rear Lever Stopper	1
22	A267 2857	Spring Plate - Side Fence	1
23	G568 2792	Rear Paper Holder	1
24	A267 2859	Side Fence Stopper	1
25	G060 2774	Lift Shaft	1
26	A204 2972	Bottom Lift Lever	1
27	GA00 3013	Decal - Paper Tray 2 Right	1
28	G313 2787	Cushion:Tray Bottom Plate MB3 ADDED	2
29	G313 2788	Cushion:Base:2 MB3 ADDED	1

Index No.	Part No.	Description	Q'ty Per Assembly
101	0450 4010B	Tapping Screw - 4x10	
102	0314 0060B	Philips Pan Head Screw - M4x6	
103	0450 3008B	Tapping Screw - M3x8	
104	0720 0060E	Retaining Ring - M6	

### 3.PAPER RESISTRATION (B456)



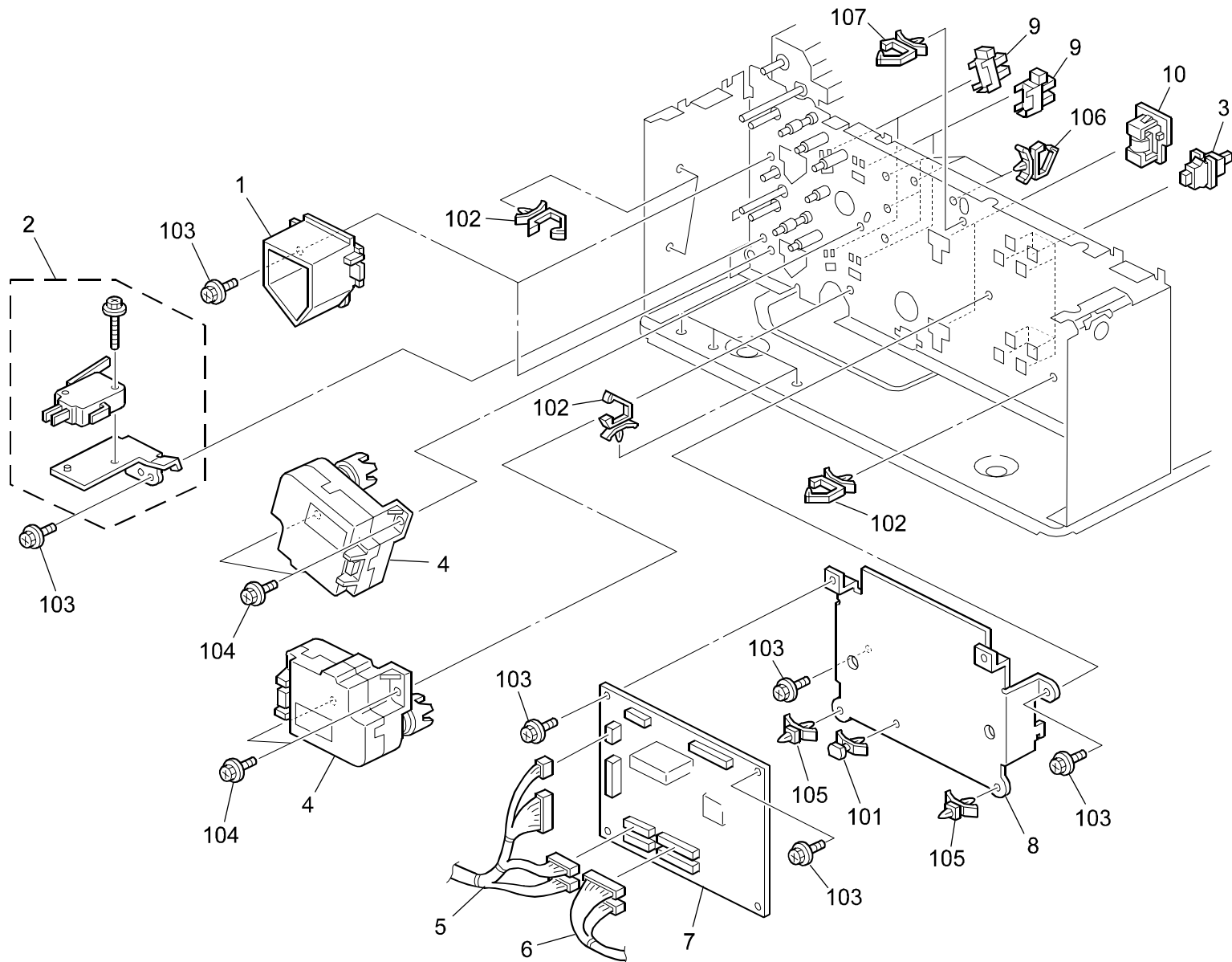
### 3.PAPER RESISTRATION (B456)

Index No.	Part No.	Description	Q'ty Per Assembly
1	G568 2665	Paper Feed Unit:Paper Bank:2:Ass'y	2
	G568 2650	x/o MB5	
<b>2</b>	<b>AF03 0085</b>	<b>Paper Feed Roller - Pickup</b>	<b>1</b>
	AF03 0049	x/o MB5	
3	A232 2763	Pick-up Arm	1
4	AB01 1188	Gear - 21Z	1
5	AA06 0691	Tension Spring	1
6	A232 2781	Sensor Bracket	1
7	AW02 0131	Photointerruptor	1
8	A232 2780	Stay - Paper Feed	1
9	AF02 0404	Transport Roller	1
10	G568 5370	Harness - Paper Feed Unit	1
11	AW02 0056	Photointerruptor - EE-SX4235A-P1	2
12	AA08 2070	Bushing - 8x16x7	1
13	AB01 1218	Gear - Roller Clutch	1
<b>14</b>	<b>AF03 1085</b>	<b>Paper Feed Roller - Feed</b>	<b>1</b>
	AF03 1049	x/o MB5	
15	AA10 0014	Retaining Ring C - Separate	2
16	G313 2765	Front Grounding Plate	1
17	G568 2856	Housing - Paper Feed Unit	1
18	A232 2766	Feed Mylar	1
19	A232 2762	Paper End Feeler	1
20	B004 2782	Rear Feed Mylar	1
21	G568 2689	Bank Separate Driven Shaft	1
22	B180 2900	Torque Limiter:40MN.M:MM18	1
	G060 2900	o/o MB4	
<b>23</b>	<b>AF03 2085</b>	<b>Paper Feed Roller - Separate</b>	<b>1</b>
	AF03 2049	x/o MB5	
24	G060 2725	Stay - Paper Separation	1
25	AB01 0106	Gear - 24Z	1
26	5206 2686	Snap Ring	2
27	AA06 0693	Tension Spring	1
28	A232 2774	Pressure Lever	1
29	A232 2776	Release Lever	1
30	AA08 2072	Bushing - M6	2

Index No.	Part No.	Description	Q'ty Per Assembly
31	AB01 0107	Gear - 23Z	1
32	AA14 0656	Shaft - Gear	1
33	AA06 0692	Tension Spring	1
34	A232 2775	Link Lever	1
35	G313 2764	Rear Grounding Plate	1
36	AA14 0743	Shaft - Feed	1
37	AA08 3014	One-way Clutch	1
38	B082 2785	Guide Plate:Swivel:Adhesion	1
	A232 2785	o/o MB7	
101	0720 0060E	Retaining Ring - M6	
102	0720 0040E	Retaining Ring - M4	
103	0805 0089	Retaining Ring - M4	
104	0450 3008B	Tapping Screw - M3x8	
105	0451 3008B	Tapping Screw - M3x8	
106	0451 3006B	Tapping Screw - M3x6	
107	0805 3487	Bushing - M6	
108	1105 0511	Harness Clamp - LWS-0306ZC	



# 4.DRIVE SECTION (B456)

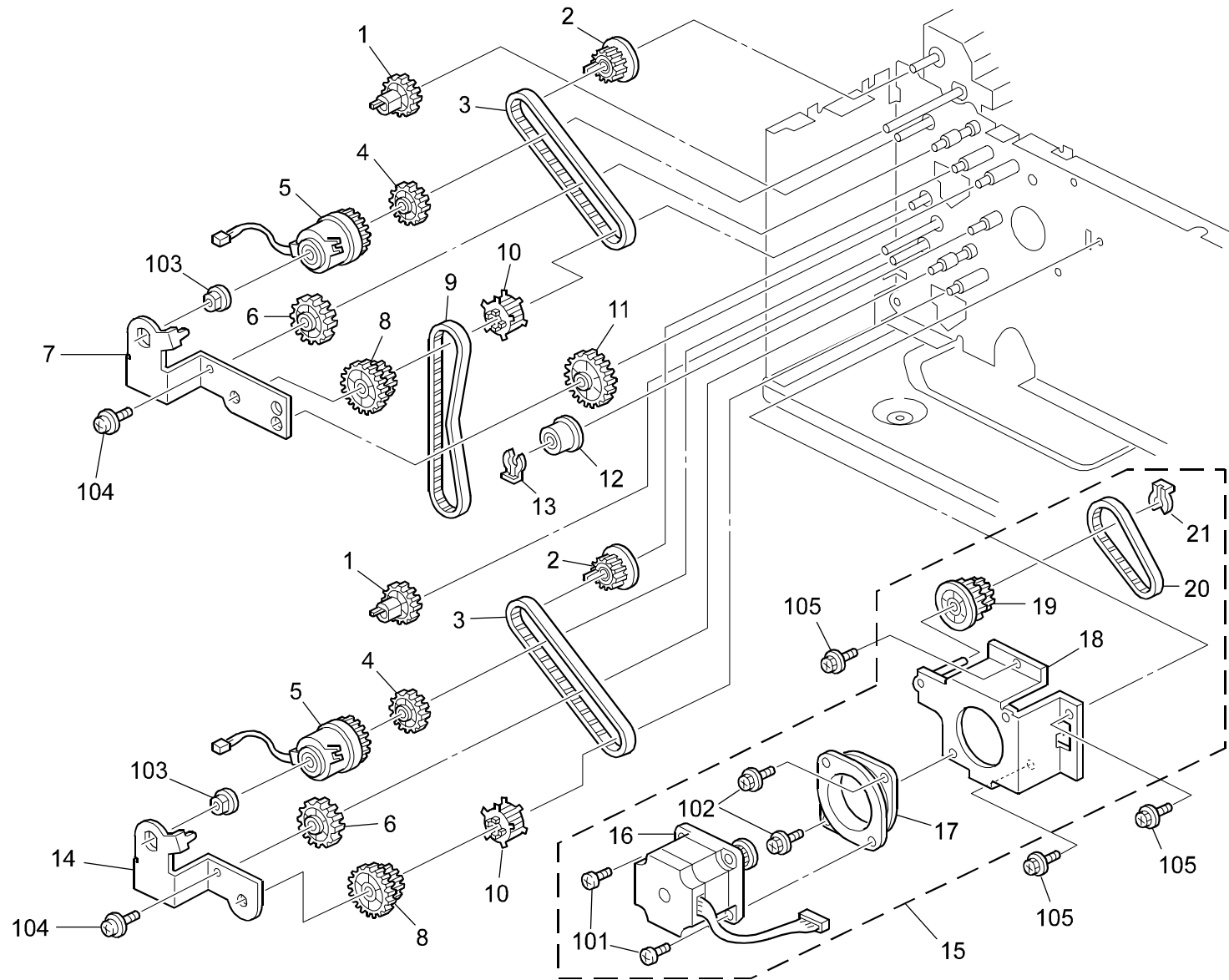


#### 4.DRIVE SECTION (B456)

Index No.	Part No.	Description	Q'ty Per Assembly
1	G568 2692	Cover - Drive	1
2	A232 2881	Micro Switch - On-Off Detector	1
3	AW50 0023	Push Switch	8
4	AX04 0128	DC Motor - 2.16W	2
5	G568 5300	Harness - Main	1
6	G568 5310	Harness - Paper Size Sensor	1
7	B456 5115 B456 5100	PCB:BANK2:Ass'y o/o MB6	1
8	G568 1187	Bracket - Interface Board	1
9	AW02 0056	Photointerruptor - EE-SX4235A-P1	4
10	G060 2801	Holder - Paper Tray	2

Index No.	Part No.	Description	Q'ty Per Assembly
101	1105 0409	Card Spacer- 6.4mm	
102	1105 0487	Harness Clamp	
103	0451 3006B	Tapping Screw - M3x6	
104	0451 3008B	Tapping Screw - M3x8	
105	1105 0192	Locking Support	
106	1105 0511	Harness Clamp - LWS-0306ZC	

# 5.ELECTRICAL SECTION (B456)



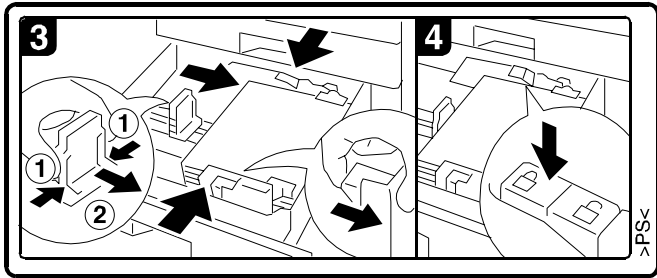
## 5.ELECTRICAL SECTION (B456)

Index No.	Part No.	Description	Q'ty Per Assembly
1	AB01 4038	Gear - 22Z	2
2	AB03 0565	Timing Pulley - 20T	2
3	G569 2819	Timing Belt - S3M 222	2
4	G569 2724	Gear - Z24	2
5	AX20 0221	Magnetic Clutch - Paper Feed	2
6	G569 2822	Gear - Z30	2
7	G569 2846	Upper Drum Stay - Feed Roller	1
8	G568 2836	Gear - Z28/20T	2
9	G568 2840	Timing Belt - S3M 258	1
10	G568 2838	Timing Pulley - 20T	2
11	G569 2829	Gear - 31Z	1
12	G568 2839	Tightener - M16	1
13	AA10 0014	Retaining Ring C - Separate	1
14	G568 2842	Drum Stay - Feed Roller	1
15	G568 2700	Motor Bracket	1
16	G568 2702	Stepper Motor - DC4.42W	1
17	AA16 1131	Cushion - Stepper Motor	1
18	G568 2830	Bracket - Stepper Motor	1
19	G568 2835	Gear - Z19/29T	1
20	G569 2850	Timing Belt - S3M150	1
21	5215 2621	Snap Ring - M6	1

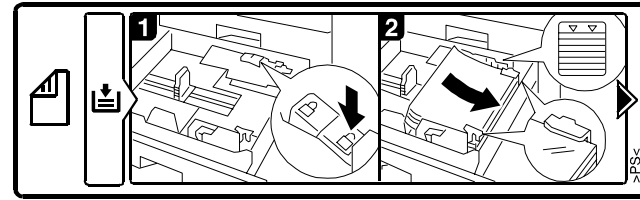
Index No.	Part No.	Description	Q'ty Per Assembly
101	0314 0080B	Philips Pan Head Screw - M4x8	
102	0451 4008B	Philips Tapping Screw - M4x8	
103	0805 3480	Bushing - 6mm	
104	0951 3006B	Philips Screw With Flat Washer - M3x6	
105	0451 3006B	Tapping Screw - M3x6	

## 6.DECALS AND DOCUMENTS (B456)

1



2



## 6.DECALS AND DOCUMENTS (B456)

Index No.	Part No.	Description	Q'ty Per Assembly
1	GA00 3013	Decal - Paper Tray 2 Right	1
2	GA00 3043	Decal - Exit Paper Tray	1

Index No.	Part No.	Description	Q'ty Per Assembly
-----------	----------	-------------	-------------------

# Parts Index

## PM Parts Index

Section Name	Part No.	Description in Service Manual	Description in Parts Catalog	Q'ty Per Assembly	Page and Index No.
PAPER RESISTRATION (B456)	AF03 0085	Pick-up Roller	Pick-up Roller	1	7 - 2
PAPER RESISTRATION (B456)	AF03 1085	Feed Roller	Feed Roller	1	7 - 2
PAPER RESISTRATION (B456)	AF03 2085	Separation Roller	Separation Roller	1	7 - 2



## Parts Index

Part No.	Description	Page and Index No.
B456 1078	Drawer Bracket	3 - 23
B456 1133	Upper Rear Stay	3 - 22
B456 1212	Lower Cover	3 - 8
B456 1213	Lower Cover Bracket	3 - 7
B456 1250	Right Cover	3 - 41
B456 1251	Rear Cover	3 - 25
B456 1253	Left Cover - Paper Bank	3 - 14
B456 2550	Vertical Transport Cover	3 - 40
B456 2551	Vertical Transport Lever	3 - 32
B456 2552	Un Lock Shaft	3 - 38
B456 5100	o/o MB6	9 - 7
B456 5115	PCB:BANK2:Ass'y	9 - 7
B456 5320	Interface Harness	3 - 24
B456 5340	o/o MB8	3 - 20
B456 5350	Harness:Heater:Ass'y	3 - 20
B456 5360	Harness:Connecting:Heater:Ass'y MB8 ADDED	3 - 44
B456 6160	Front Stand	3 - 1
B456 6161	Rear Stand	3 - 2

Part No.	Description	Page and Index No.
A134 2976	Stopper Lever	5 - 7
A134 2978	Spring Plate	5 - 8
A204 2972	Bottom Lift Lever	5 - 26
A230 2525	Stopper - Heater	3 - 19
A232 2762	Paper End Feeler	7 - 19
A232 2763	Pick-up Arm	7 - 3
A232 2766	Feed Mylar	7 - 18
A232 2774	Pressure Lever	7 - 28
A232 2775	Link Lever	7 - 34
A232 2776	Release Lever	7 - 29
A232 2780	Stay - Paper Feed	7 - 8
A232 2781	Sensor Bracket	7 - 6
A232 2785	o/o MB7	7 - 38
A232 2862	Driven Roller	3 - 33
A232 2881	Micro Switch - On-Off Detector	9 - 2
A232 2987	Roller - Paper Tray	5 - 14
A267 2857	Spring Plate - Side Fence	5 - 22
A267 2859	Side Fence Stopper	5 - 24
A267 2860	Rear Lever Stopper	5 - 21
A507 1096	Philips Screw - M5x6	3 - 6
A628 3115	Knob Screw - M4	3 - 27
A682 1067	Upper Middle Stay	3 - 12
A682 2552	Front Hook - Vertical Transport	3 - 37
A682 2553	Rear Hook - Vertical Transport Cover	3 - 39
A682 2559	Lever Stopper	3 - 31
A682 2565	Stopper - Vertical Transport Cover	3 - 36
B004 2782	Rear Feed Mylar	7 - 20
B082 2785	Guide Plate:Swivel:Adhesion	7 - 38
B180 2900	Torque Limiter:40MN.M:MM18	7 - 22
B351 6121	Screw - Fix Hinge	3 - 15
B457 1125	Front Upper Stay	3 - 11
G060 2725	Stay - Paper Separation	7 - 24
G060 2774	Lift Shaft	5 - 25
G060 2801	Holder - Paper Tray	9 - 10
G060 2900	o/o MB4	7 - 22

Part No.	Description	Page and Index No.
G313 1132	Ground Plate - Upper Rear Stay	3 - 21
G313 2764	Rear Grounding Plate	7 - 35
G313 2765	Front Grounding Plate	7 - 16
G313 2775	Spring Plate	5 - 16
G313 2782	Shield	5 - 17
G313 2783	Tension Spring - Paper Size Detect	5 - 4
G313 2787	Cushion:Tray Bottom Plate	5 - 28
G313 2788	Cushion:Base:2	5 - 29
G313 2952	Paper Tray	5 - 1
G313 6210	Connecting Bracket	3 - 26
G568 1080	Anchor Clip - 1026	3 - 9
G568 1160	Sheet - Base	3 - 10
G568 1187	Bracket - Interface Board	9 - 8
G568 2650	x/o Mb5	7 - 1
G568 2665	Paper Feed Unit:Paper Bank:2:Ass'y	7 - 1
G568 2689	Bank Separate Driven Shaft	7 - 21
G568 2692	Cover - Drive	9 - 1
G568 2700	Motor Bracket	11 - 15
G568 2702	Stepper Motor - DC4.42W	11 - 16
G568 2770	Tray Bottom Plate	5 - 12
G568 2781	Front Side Fence	5 - 6
G568 2782	Rear Side Fence	5 - 20
G568 2784	End Fence	5 - 11
G568 2789	Front Paper Holder	5 - 9
G568 2790	Paper Size Sensor Cover	5 - 2
G568 2792	Rear Paper Holder	5 - 23
G568 2794	Lower Shield	5 - 3
G568 2796	Link - Paper Size Detection Plate	5 - 5
G568 2797	Paper Size Sensor Board	5 - 19
G568 2800	Flange - Paper Size Detection Plate	5 - 18
G568 2830	Bracket - Stepper Motor	11 - 18
G568 2835	Gear - Z19/29T	11 - 19
G568 2836	Gear - Z28/20T	11 - 8
G568 2838	Timing Pulley - 20T	11 - 10
G568 2839	Tightener - M16	11 - 12

Part No.	Description	Page and Index No.
G568 2840	Timing Belt - S3M 258	11 - 9
G568 2842	Drum Stay - Feed Roller	11 - 14
G568 2856	Housing - Paper Feed Unit	7 - 17
G568 2990	Guide Rail - Paper Tray	3 - 3
G568 5300	Harness - Main	9 - 5
G568 5310	Harness - Paper Size Sensor	9 - 6
G568 5370	Harness - Paper Feed Unit	7 - 10
G568 6560	Heater Sink Plate	3 - 17
G569 2565	Guide Plate - Vertical Transport	3 - 28
G569 2570	Grounding Plate - Vertical Transport Shaft	3 - 30
G569 2724	Gear - Z24	11 - 4
G569 2819	Timing Belt - S3M 222	11 - 3
G569 2822	Gear - Z30	11 - 6
G569 2829	Gear - 31Z	11 - 11
G569 2846	Upper Drum Stay - Feed Roller	11 - 7
G569 2850	Timing Belt - S3M150	11 - 20
G569 6160	x/x MB1	3 - 1
G569 6161	x/x MB1	3 - 2
G569 6168	Rear Left Stand Bracket	3 - 13
G569 6169	Rear Right Stand Bracket	3 - 42

Part No.	Description	Page and Index No.
AA00 0401	Decal - High Temperature	3 - 16
AA06 0691	Tension Spring	7 - 5
AA06 0692	Tension Spring	7 - 33
AA06 0693	Tension Spring	7 - 27
AA06 0715	Pressure Spring	3 - 29
AA06 3573	Compression Spring	3 - 35
AA08 0254	Bushing - M4	3 - 34
AA08 2070	Bushing - 8x16x7	7 - 12
AA08 2072	Bushing - M6	7 - 30
AA08 3014	One-way Clutch	7 - 37
AA10 0014	Retaining Ring C - Separate	11 - 13
AA10 0014	Retaining Ring C - Separate	7 - 15
AA14 0656	Shaft - Gear	7 - 32
AA14 0743	Shaft - Feed	7 - 36
AA14 3508	Flat Knob Screw - M4x10	3 - 43
AA16 1131	Cushion - Stepper Motor	11 - 17
AB01 0106	Gear - 24Z	7 - 25
AB01 0107	Gear - 23Z	7 - 31
AB01 1188	Gear - 21Z	7 - 4
AB01 1218	Gear - Roller Clutch	7 - 13
AB01 3868	Gear - 16Z	5 - 15
AB01 4038	Gear - 22Z	11 - 1
AB03 0565	Timing Pulley - 20T	11 - 2
AF01 3014	Bottom Plate Pad	5 - 13
AF02 0404	Transport Roller	7 - 9
AF03 0049	x/o MB5	7 - 2
AF03 0085	Paper Feed Roller - Pickup	7 - 2
AF03 1049	x/o MB5	7 - 14
AF03 1085	Paper Feed Roller - Feed	7 - 14
AF03 2049	x/o MB5	7 - 23
AF03 2085	Paper Feed Roller - Separate	7 - 23
AH01 2013	Stopper Caster - 60kgf	3 - 4
AH01 2014	Caster - 60kgf	3 - 5
AW02 0056	Photointerruptor - EE-SX4235A-P1	7 - 11
AW02 0056	Photointerruptor - EE-SX4235A-P1	9 - 9

Part No.	Description	Page and Index No.
AW02 0131	Photointerruptor	7 - 7
AW50 0023	Push Switch	9 - 3
AX04 0128	DC Motor - 2.16W	9 - 4
AX20 0221	Magnetic Clutch - Paper Feed	11 - 5
AX40 0109	Heater - 120V 9W	3 - 18
AX40 0110	Heater - 230V 9W	3 - 18
GA00 3013	Decal - Paper Tray 2 Right	5 - 27
GA00 3013	Decal - Paper Tray 2 Right	13 - 1
GA00 3043	Decal - Exit Paper Tray	5 - 10
GA00 3043	Decal - Exit Paper Tray	13 - 2

Part No.	Description	Page and Index No.
0314 0060B	Philips Pan Head Screw - M4x6	5 -102
0314 0080B	Philips Pan Head Screw - M4x8	11 -101
0353 0060B	Philips Pan Head Screw - M3x6	3 -106
0450 3008B	Tapping Screw - M3x8	5 -103
0450 3008B	Tapping Screw - M3x8	7 -104
0450 4010B	Tapping Screw - 4x10	3 -107
0450 4010B	Tapping Screw - 4x10	5 -101
0451 3006B	Tapping Screw - M3x6	9 -103
0451 3006B	Tapping Screw - M3x6	7 -106
0451 3006B	Tapping Screw - M3x6	11 -105
0451 3006B	Tapping Screw - M3x6	3 -102
0451 3008B	Tapping Screw - M3x8	7 -105
0451 3008B	Tapping Screw - M3x8	9 -104
0451 3008H	Tapping Screw - M3x8	3 -104
0451 4008B	Philips Tapping Screw - M4x8	11 -102
0720 0040E	Retaining Ring - M4	7 -102
0720 0060E	Retaining Ring - M6	7 -101
0720 0060E	Retaining Ring - M6	5 -104
0805 0088	Retaining Ring - M6	3 -105
0805 0089	Retaining Ring - M4	7 -103
0805 3480	Bushing - 6mm	11 -103
0805 3487	Bushing - M6	7 -107
0951 3006B	Philips Screw With Flat Washer - M3x6	11 -104
0954 4008Z	Double Sens Screw - M4x8	3 -101
1105 0192	Locking Support	9 -105
1105 0409	Card Spacer- 6.4mm	9 -101
1105 0487	Harness Clamp	3 -103
1105 0487	Harness Clamp	9 -102
1105 0511	Harness Clamp - LWS-0306ZC	9 -106
1105 0511	Harness Clamp - LWS-0306ZC	7 -108

Part No.	Description	Page and Index No.
5206 2686	Snap Ring	7 - 26
5215 2621	Snap Ring - M6	11 - 21